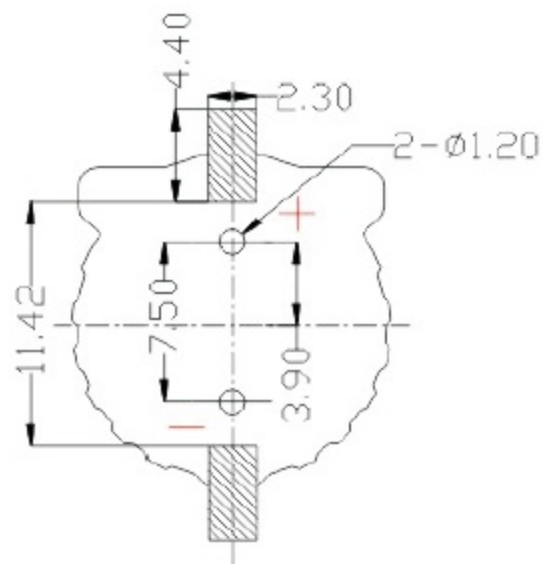
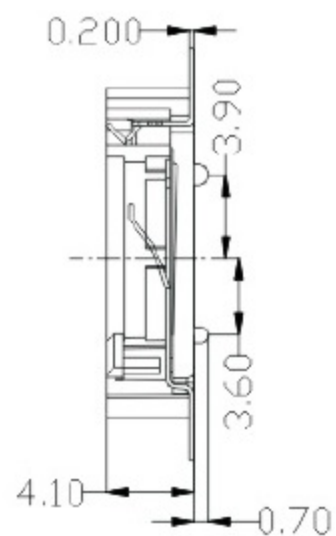
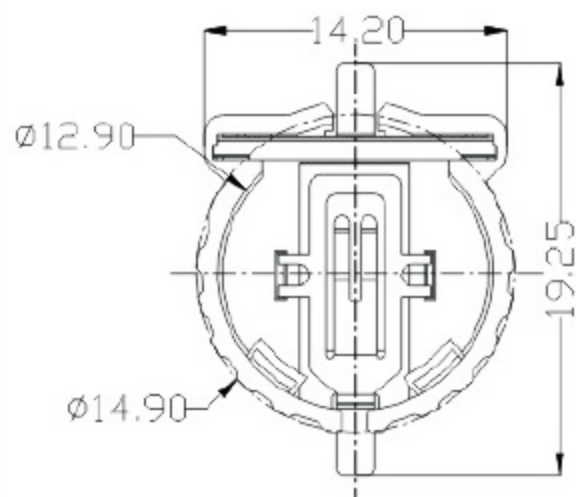


# Eunicell



**Model: EC-1220-2PPA-MY**

**P/N: EC-12-B2AA002**



PCB Layout Diagram  
Top View