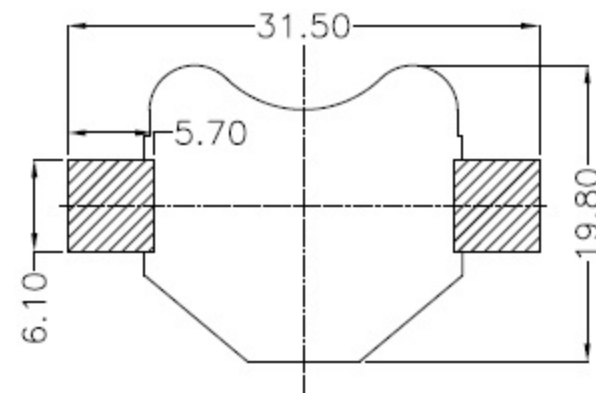
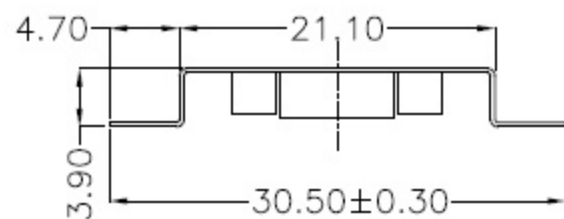
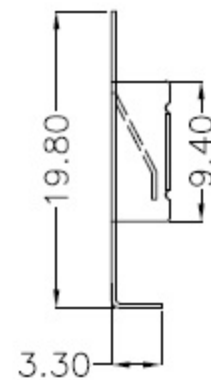
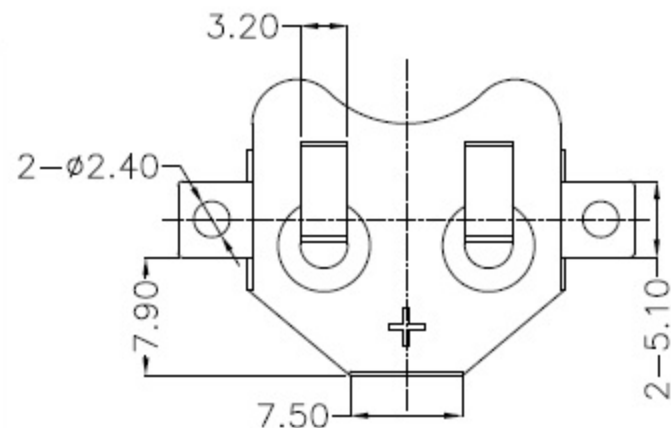


Eunicell



Model: EU-2032-W

P/N:EU-2032-04BL



PCB Layout Diagram
Top View